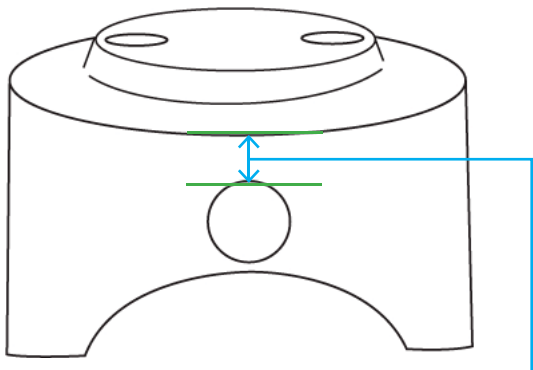


# POWROLL TECH

## HOW-TO MEASURING PISTON PIN-TO-DECK HEIGHT



Measurement taken from the top of the pin hole to the flat edge of the piston. Some pistons have a dome or dish - be sure to measure at the very edge of the piston for the most accurate results.

